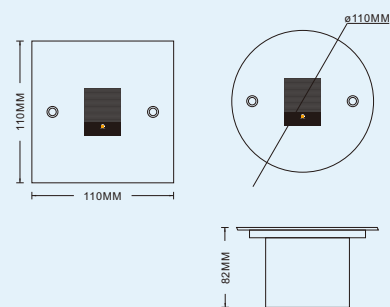




Product Size



Specification

Model No.:	RS-WL1W-A(88267)
Front cover & Housing:	Stainless steel 304
Dimensions:	D110*H82mm / L110*W110*H82mm
Tempered Glass:	4mm thickness
LED chip:	Cree
LED Q'ty:	1pc 1W LED
Cable gland:	Nickel plated brass M12
Driver:	Constant current driver
Lens:	Clear, Bead, Frosted
Beam Angle Options:	90°
Power Cable:	2*1.0mm ² VDE rubber cable
Protection Class:	IP67
Environment:	Dry
Mounting Hardware:	Embedded System
Net Weight:	0.5kgs with 1m cable
Lifetime:	>50000H

Order information

Item code	Color	Light source(w)	Line Way	Input Voltage (v)	Operating current (mA)	Consumption (w)	Luminous (lm)
88267.011.01	2700-3000K	1*1	V+/V-	DC12, AC90-230	83 / 9 / 4.5	1	90
88267.011.02	4000-4500K	1*1	V+/V-	DC12, AC90-230	83 / 9 / 4.5	1	95
88267.011.03	5000-5500K	1*1	V+/V-	DC12, AC90-230	83 / 9 / 4.5	1	100
88267.011.04	6000-6500K	1*1	V+/V-	DC12, AC90-230	83 / 9 / 4.5	1	100
88267.011.05	Red	1*1	V+/V-	DC12, AC90-230	83 / 9 / 4.5	1	25
88267.011.06	Green	1*1	V+/V-	DC12, AC90-230	83 / 9 / 4.5	1	60
88267.011.07	Blue	1*1	V+/V-	DC12, AC90-230	83 / 9 / 4.5	1	30
88267.011.08	Yellow	1*1	V+/V-	DC12, AC90-230	83 / 9 / 4.5	1	70

