

2. 4G Signal Converter

► FEATURES

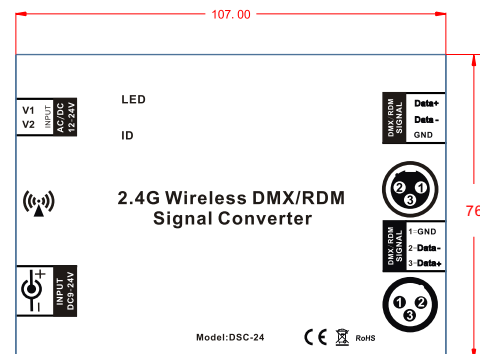
- 2.4G Wireless DMX/RDM Signal converter
- Work frequency section: 2.4GHz ISM band
126 channels frequency section.
- Receiver sensitive: -106dBm
- Communication distance: 700M



► SPECIFICATION

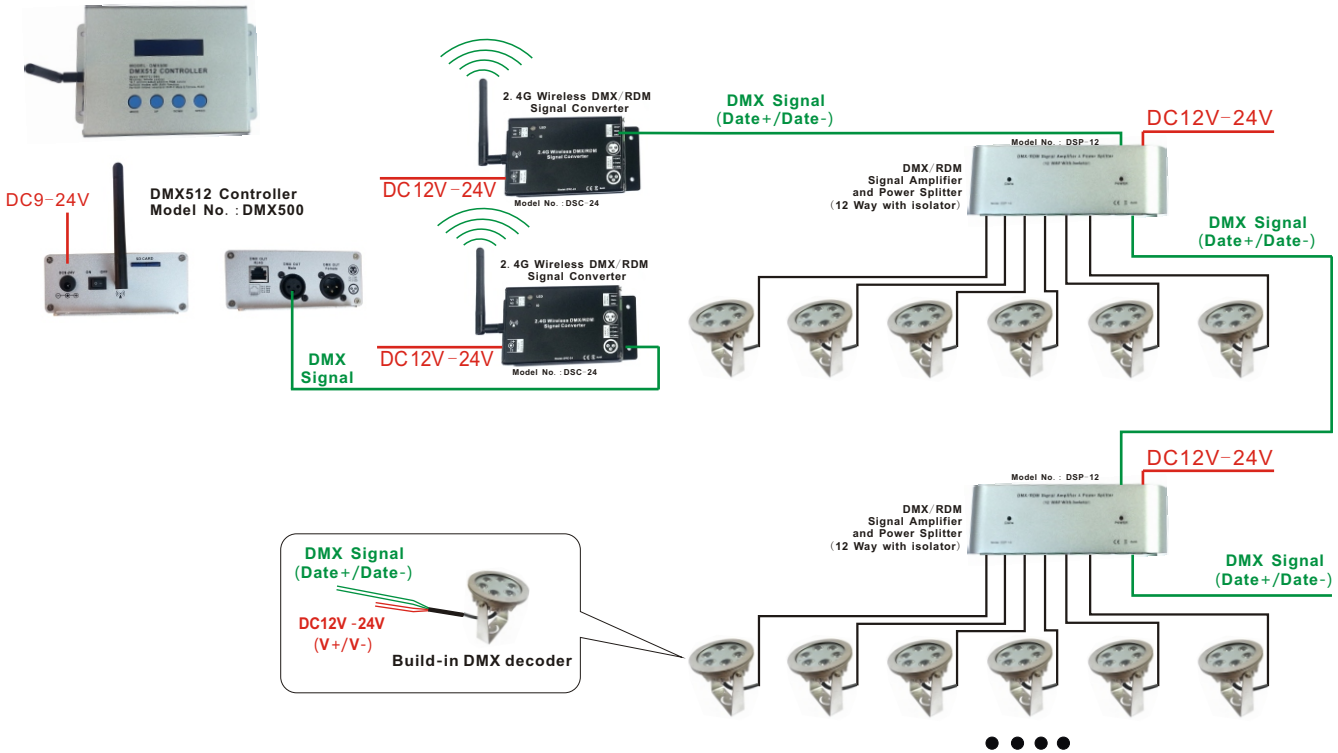
POWER INPUT	1 x 2pin Green Terminals (DC12-24V) 1 x DC connector (DC12-24V)
SIGNAL INPUT / OUTPUT INTERFACE	1 x 3pin Green Terminals 1 x XLR-3 (Male) 1 x XLR-3 (Female)
INPUT / OUTPUT SIGNAL	DMX/RDM
HOUSING	Sheet metal black powder finishing
INGRESS PROTECTION RATING	IP20
STORATION TEMPERATURE	-30°C-60°C
DIMENSION	L110XW76XH48mm
WEIGHT	200g

► PHYSICAL DIMENSIONS:

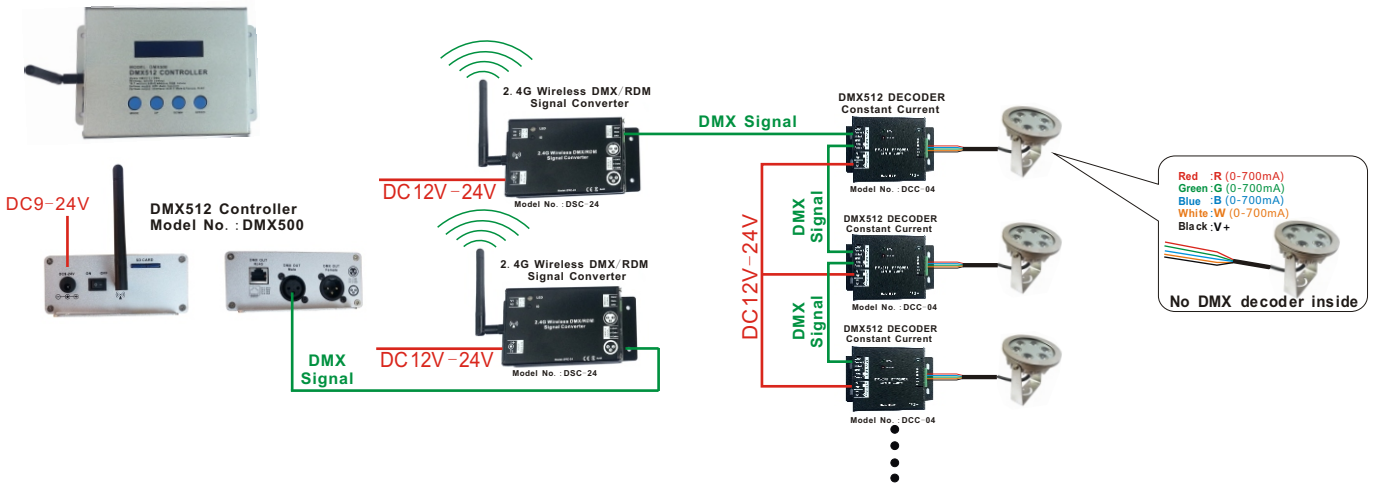


2. 4G Signal Converter

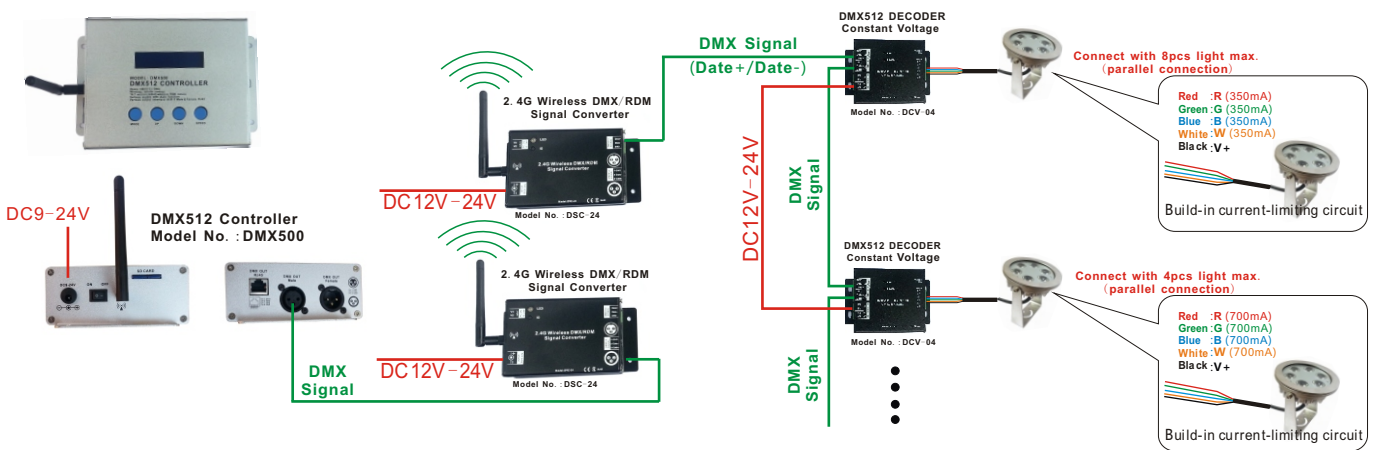
Wiring Diagram (1)



Wiring Diagram (2)



Wiring Diagram (3)



Wiring Diagram (4)

